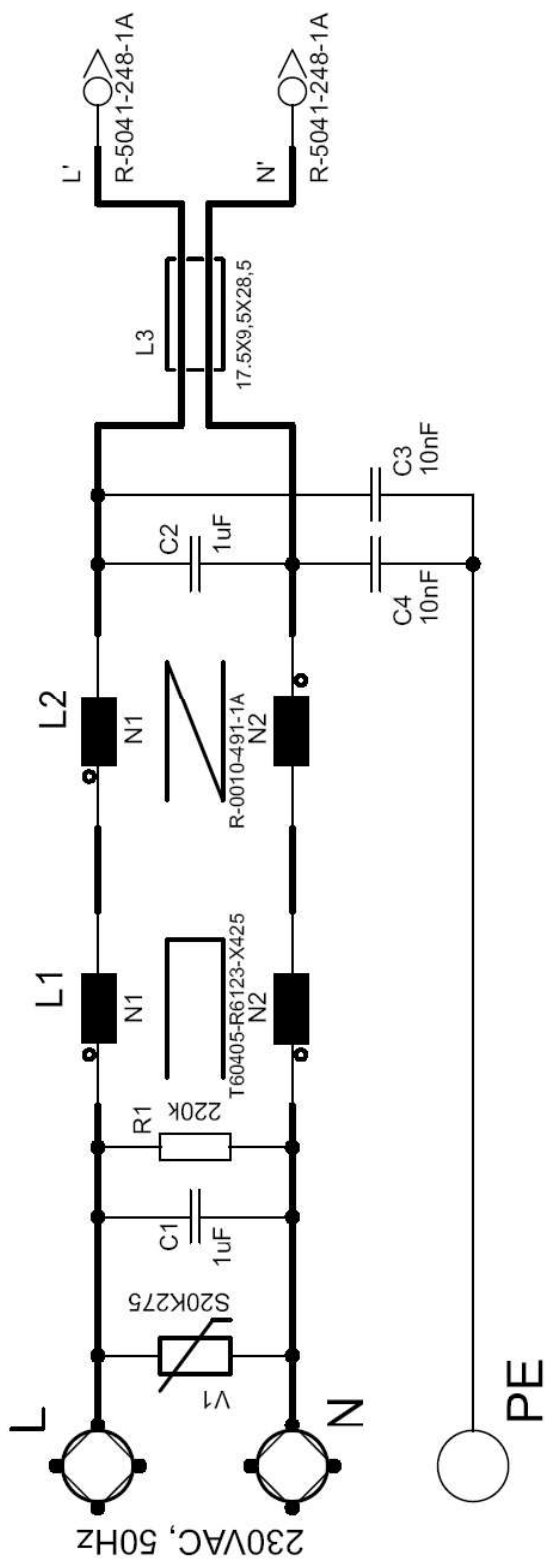


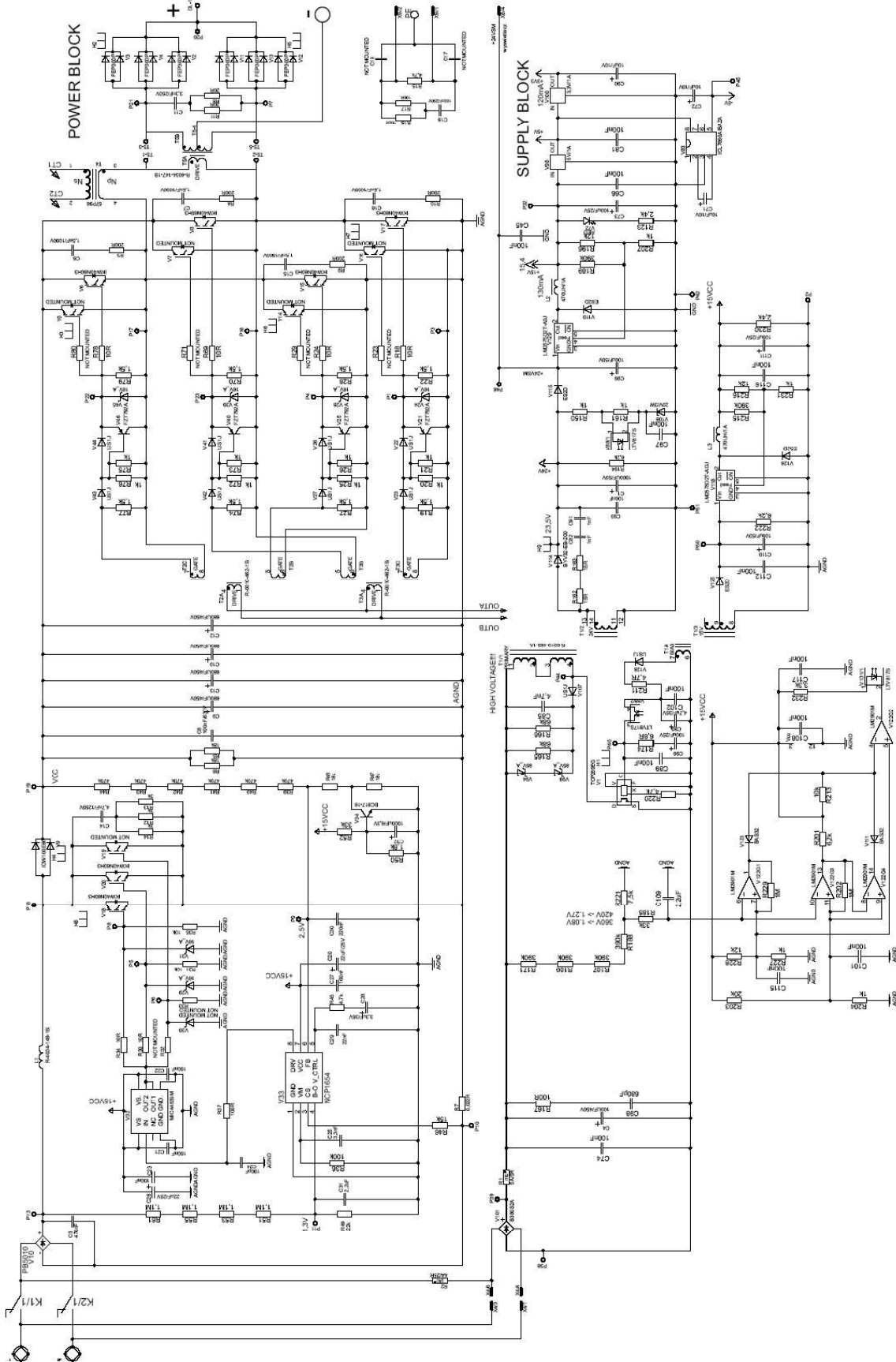
ELECTRICAL SCHEMATICS

EMI Filter Schematic Y030-1



ELECTRICAL SCHEMATICS

Main Board Schematic Y027. Page 2/2



ELECTRICAL SCHEMATICS

Control Board Schematic - Y028-1

